

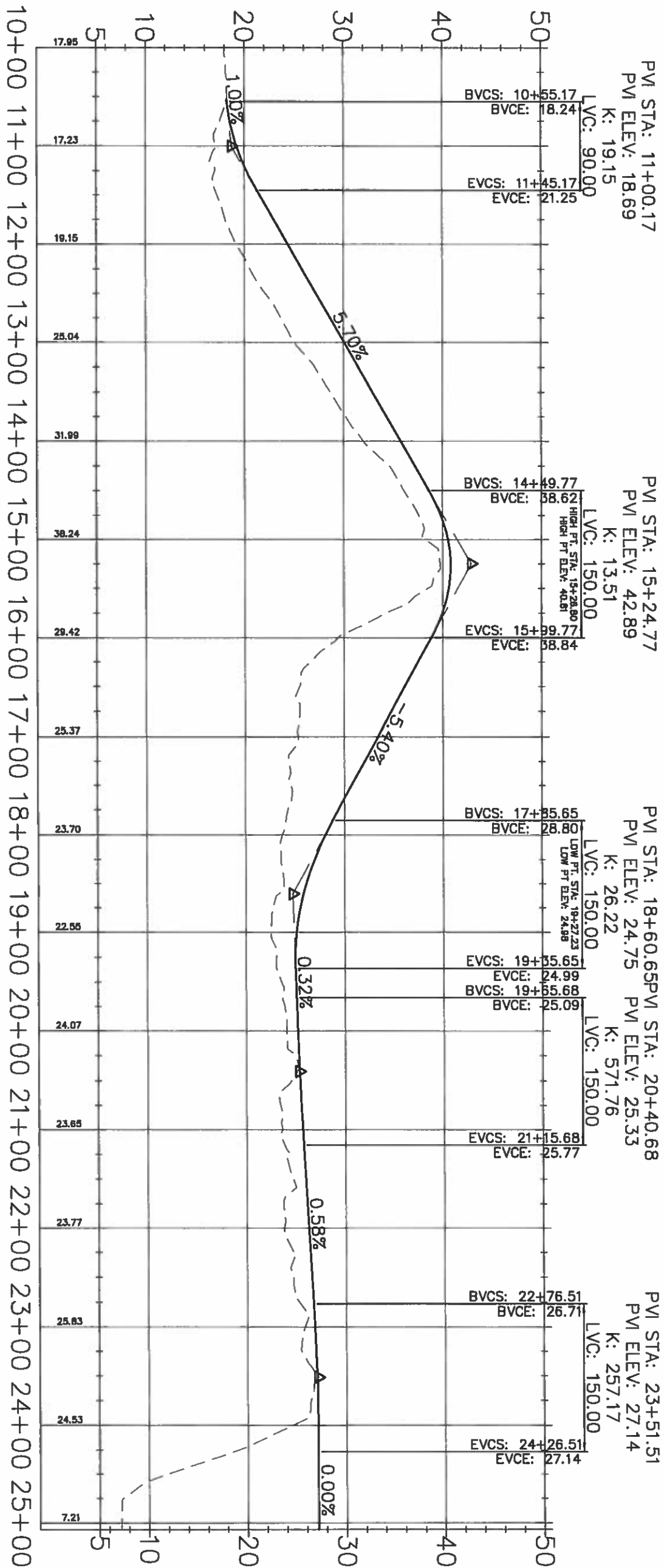
**PRELIMINARY**  
 NOT TO BE USED FOR  
 CONSTRUCTION,  
 BIDDING,  
 NEGOTIATION,  
 CONTRACTS, SALES  
 OR AS THE BASIS FOR  
 THE ISSUANCE OF A  
 PERMIT

**BURK-KLEINFELTER, INC.**  
 ENGINEER-EMORY PROWSE, E. P.E., P.L.S.  
 LICENSE #: 222289  
 DATE: JUNE, 2015

1 of 7		DESIGNED T.J.K.		<b>HARDTIMES PLANTATION FLEETING FACILITIES</b> CONCEPTUAL PLANNING	PARISH ASCENSION PARISH		SHEET NUMBER XXX
		CHECKED H.M.P.			PARISH PROJECT XXXXXX		B.L.K. PROJECT NO.15.024
NO.	DATE	REVISION DESCRIPTION	BY		ROADWAY PLANS PLAN		

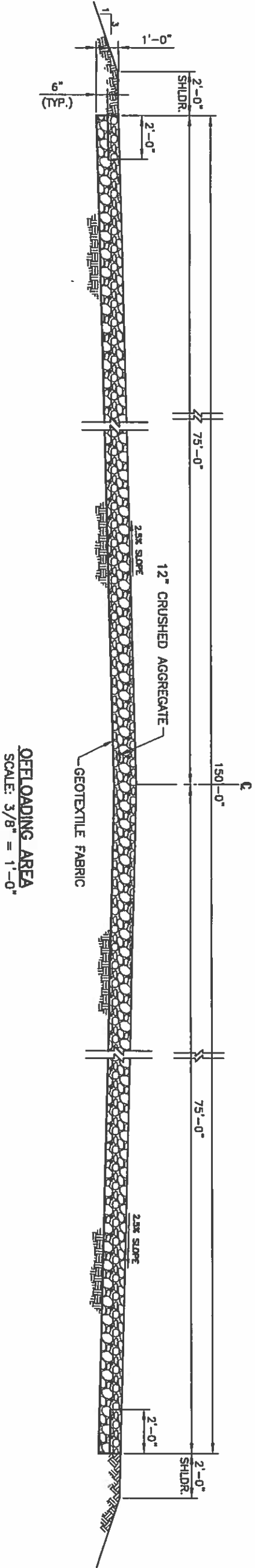
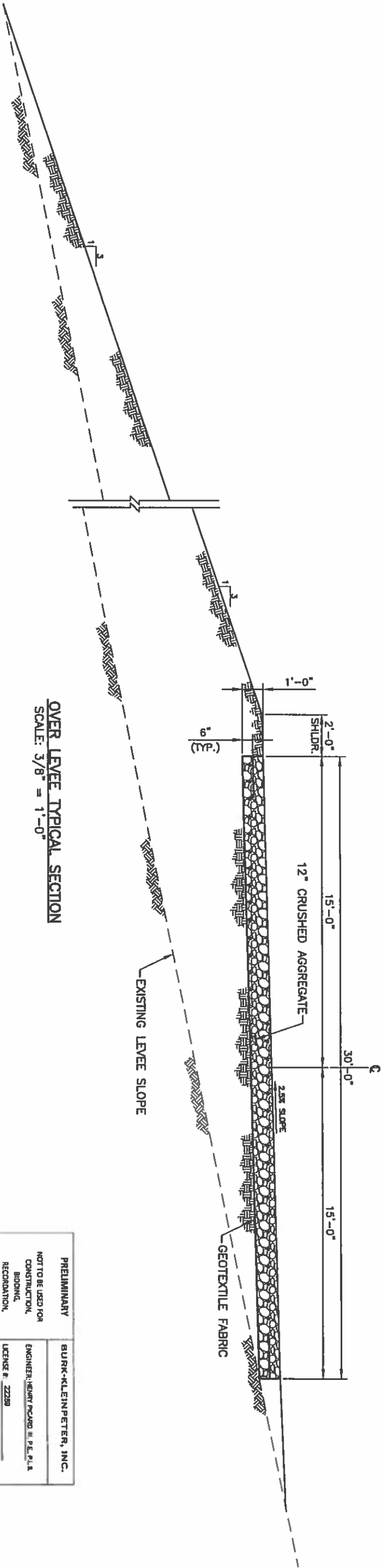
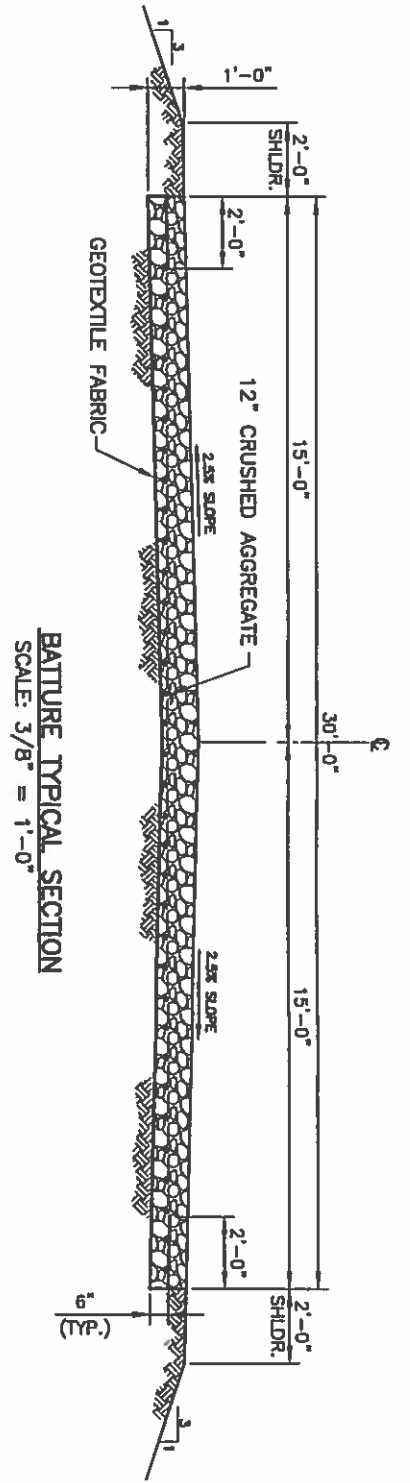


CENTERLINE LEVEE RAMP PROFILE



PRELIMINARY  
NOT TO BE USED FOR  
CONSTRUCTION,  
BIDDING,  
RECORDATION,  
CONVEYANCE, SALES  
OR AS THE BASIS FOR  
THE ISSUANCE OF A  
PERMIT

BURK-KLEINPETER, INC.  
ENGINEER: HENRY MCARD, II, P.E., P.L.S.  
LICENSE #: 222289  
DATE: JUNE, 2015



PRELIMINARY  
NOT TO BE USED FOR  
CONSTRUCTION,  
BIDDING,  
RECORDATION,  
CONVEYANCE, SALES  
OR AS THE BASIS FOR  
THE ISSUANCE OF A  
PERMIT

BURK-KLEINPETER, INC.  
ENGINEER: HENRY PKARD III, P.E., P.L.S.  
LICENSE #: 22288  
DATE: JUNE 2015

3 of 7		DESIGNED: T.J.K.	ENGINEER: HENRY PKARD III, P.E., P.L.S.		<b>HARDTIMES PLANTATION FLEETING FACILITIES CONCEPTUAL PLANNING</b>		PARISH: ASCENSION PARISH	DATE: JUNE 2015
NO.	DATE	CHECKED: H.M.P.	DATE: JUNE 2015				PARISH PROJECT: XXXXXX	PROJECT: NO. 15.024
REVISION DESCRIPTION		DATE	BY	ROADWAY PLANE: TYPICAL SECTIONS				XXX

**LEGEND**

- BUILDING
- EXISTING RIGHT OF WAY
- SEWERLINE
- CATCH BASIN
- CULVERT
- DEEP MET. DRAIN LINE
- DEEP MET. STORM LINE
- COMMUNICATIONS MANHOLE LINE
- STORM MANHOLE LINE
- ELECTRICAL MANHOLE E.C. LINE
- GAS MANHOLE G.C. LINE
- SEWER MANHOLE SEWER LINE
- TELEPHONE MANHOLE T.E. LINE
- TRAFFIC MANHOLE TRAFFIC LINE
- WATER MANHOLE WATER LINE
- UTILITY POLE / OVERHEAD LINES
- ELECTRIC TELEPHONE CABLE TV
- FIBER OPTIC RESON / LINE
- TRENCH
- TRENCH METER / PEDESTAL
- UTILITY CAISSON
- UTILITY METER
- UTILITY PEDESTAL
- UTILITY VALVE
- UTILITY VALVE VAULT
- FIRE HYDRANT
- LIGHT STANDARD
- TRAFFIC SIGNAL POLE
- TRAFFIC LIGHT POWER VAULT
- CANOPY SUPPORT
- BELLAND
- SIGN
- TREE
- RESIDENTIAL WALL/DOOR
- P. DRIVEWAY
- NON RES./PEC. ROAD
- NON RES. SET
- HYDROGRAPHIC ELEVATION

**GENERAL NOTES**

THE LOCATIONS OF UNDERGROUND AND OTHER NONVISIBLE UTILITIES SHOWN ON THIS SURVEY HAVE BEEN DETERMINED FROM DATA OBTAINED FROM RECORD DRAWINGS AND/OR FIELD SURVEY DATA AND/OR EXTRACTED FROM RECORDS MADE AVAILABLE TO US BY THE AGENCIES CONTROLLING SUCH RECORDS. WHERE TOWN, THE NONVISIBLE UTILITIES SHOWN MAY VARY FROM THOSE SHOWN HEREON. EACH AGENCY SHOULD BE CONTACTED RELATIVE TO THE PRECISE LOCATION AND DEPTH OF SUCH UTILITIES. THE PRECISE LOCATION, INCLUDING PROBE TO DEPTH AND DEPTH,

**BASIS OF ELEVATION**

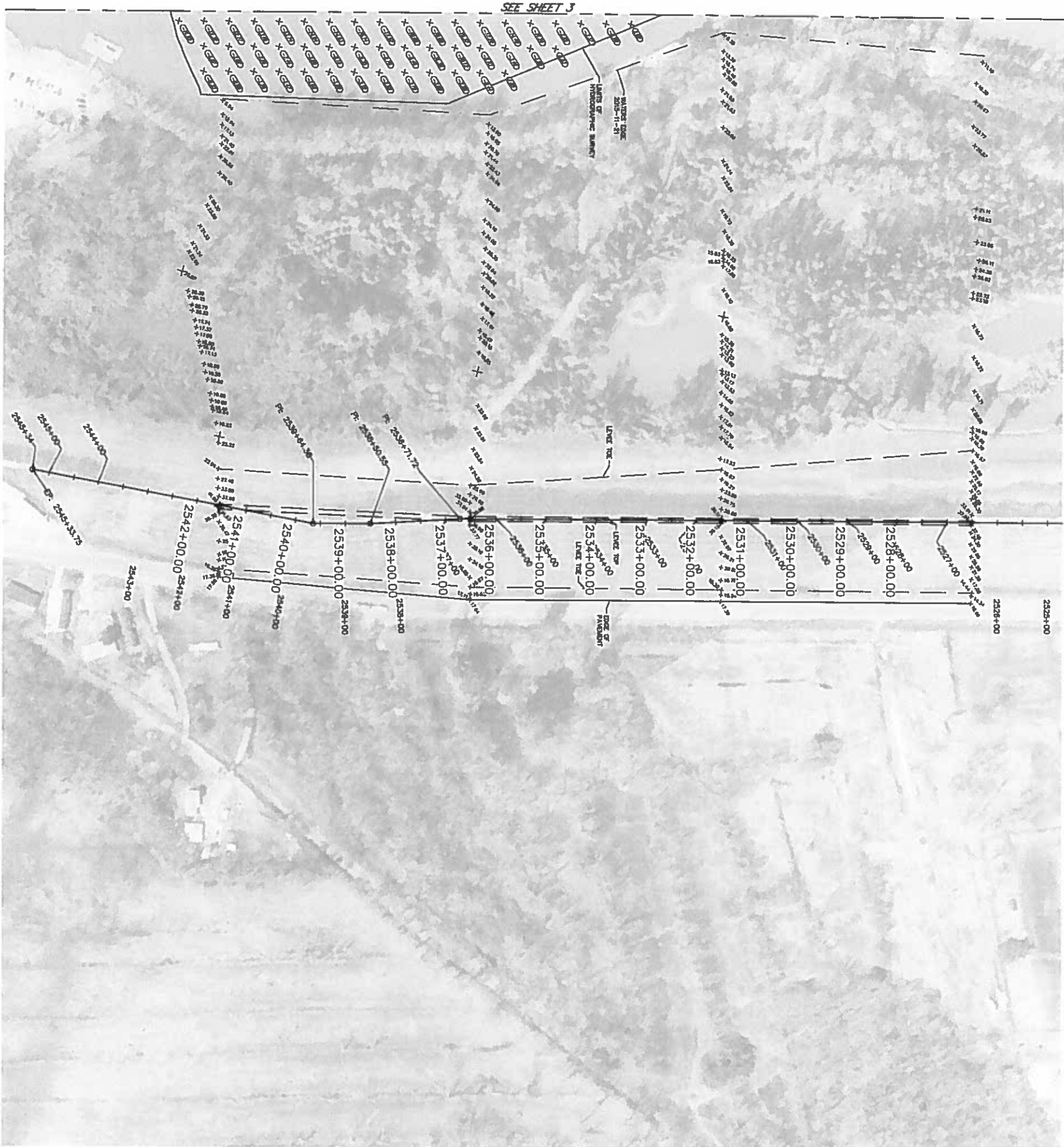
ELEVATIONS SHOWN ON THIS SURVEY ARE BASED ON THE NORTH AMERICAN VERTICAL DATUM OF 1885 (NAVD83) UTILIZING CORRECTIONS TO THE DATUM OF 1988. ELEVATIONS REFERENCED TO THE MEAN SEA LEVEL DATUM OF 1988 (MSL) ARE INDICATED BY THE LETTER 'M' FOLLOWING THE ELEVATION VALUE. ELEVATIONS REFERENCED TO THE MEAN SEA LEVEL DATUM OF 1988 (MSL) ARE INDICATED BY THE LETTER 'S' FOLLOWING THE ELEVATION VALUE.

**SERVICES**

THE SERVICES AND RESTRICTIONS SHOWN ON THIS SURVEY ARE LIMITED TO THOSE SET FORTH IN THE DESCRIPTION PARAGRAPHS OF THE SURVEY. THE SERVICES NOT SET FORTH IN THE DESCRIPTION PARAGRAPHS WERE NOT PROVIDED BY THE SURVEYOR. THE SURVEYOR HAS MADE NO FIELD SEARCH OR PUBLIC RECORD SEARCH IN OBTAINING THE DATA FOR THIS SURVEY.

**SPECIAL FLOOD HAZARD AREA**

I HAVE CONSULTED THE FEDERAL INSURANCE ADMINISTRATION FLOOD HAZARD REPLY MAPS AND FOUND THIS PROPERTY IS IN A SPECIAL FLOOD HAZARD AREA.  
 FIRM ZONE: X  
 BASE FLOOD ELEVATION: N/A  
 COMMUNITY PANEL NO. 2200000000  
 MAP DATED/REVISED: AUGUST 14, 2007



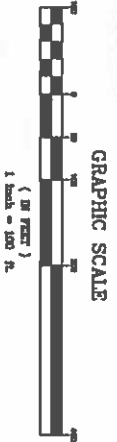
SEE SHEET 3

SITE  
 WINMAP.png

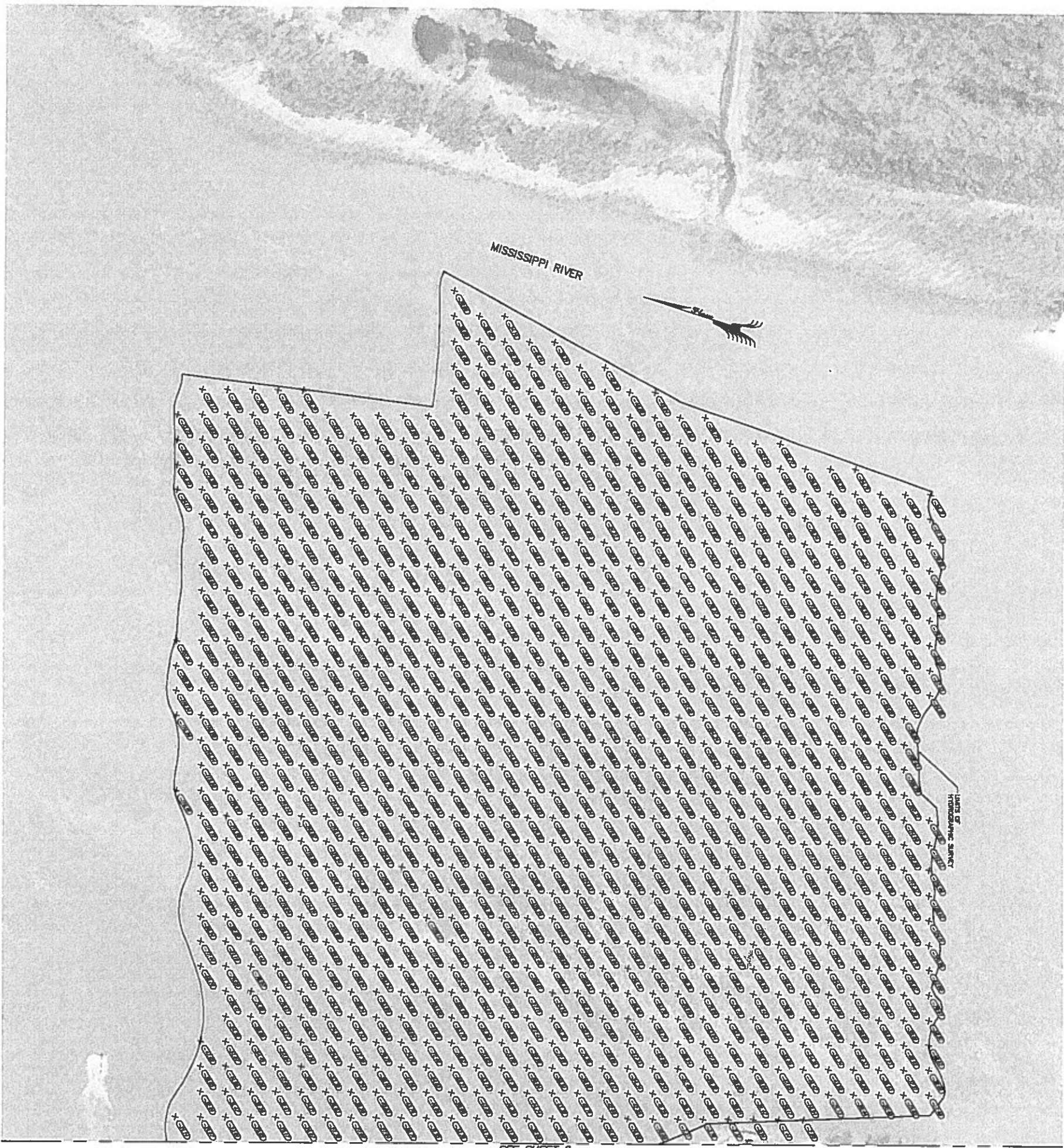
VICINITY MAP  
 NOT TO SCALE



GRID NORTH  
 NORTH REFERENCED TO LOUISIANA  
 STATE PLANE COORDINATE SYSTEM,  
 SOUTH ZONE, NAD 83



<p>4 of 7</p>	<p><b>TOPOGRAPHIC SURVEY OF                  HARDTIMES PLANTATION,                  HIGHWAY 75, DARROW,                  ASSUMPTION PARISH, LOUISIANA</b></p>	<p><b>BAM</b>                  Professional Land Surveyors</p> <p>854 WILLIAM BOLLWAND                  L-1008 Independence                  (504) 488-8800                  Fax (504) 487-8800                  CITY OF BOSSIERE                  4070000 PARISH, LOUISIANA, 70063</p>	<p>REGISTERED PROFESSIONAL LAND SURVEYOR                  RALPH P. FORTOLIBERTA JR.                  REGISTRATION NO. 4329</p>
<p>DATE: NOVEMBER 21, 2015</p> <p>SCALE: 1" = 100'</p> <p>PROJECT NO.: 97152</p> <p>DATE: 17</p>	<p>DESCRIPTION</p> <p>REVISION RECORD</p>	<p>BY</p> <p>DATE</p>	<p>PROJECT NO.</p> <p>DATE</p>



MISSISSIPPI RIVER

HARDTIMES PLANTATION

SEE SHEET 2



GRAPHIC SCALE

GRID NORTH  
NORTH PLANE COORDINATE SYSTEM,  
SOUTH ZONE, NAD 83



5 of 7				
MARK	DESCRIPTION	DATE	BY	CHKD
	NEWSON RECORD			

TOPOGRAPHIC SURVEY OF  
HARDTIMES PLANTATION,  
HIGHWAY 75, DARROW,  
ASSUMPTION PARISH, LOUISIANA

I certify that this plan represents an actual ground survey made by me or under my direction, and it does not conform to the requirements for the title shown hereon as required by the Louisiana Administrative Code, Title 46, Chapter 29, Part 4, Section 2, Survey.

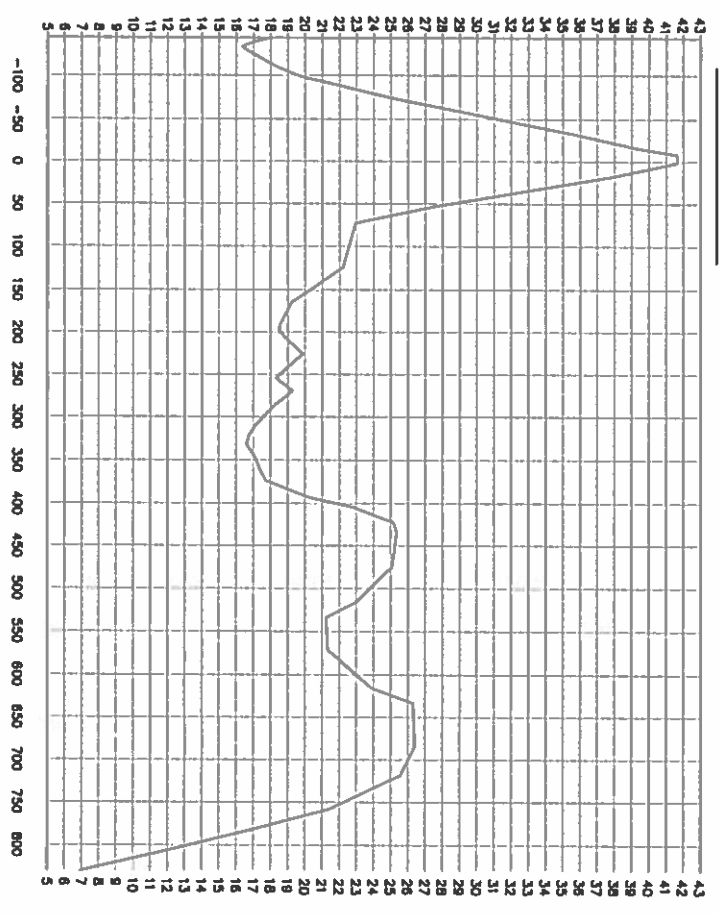
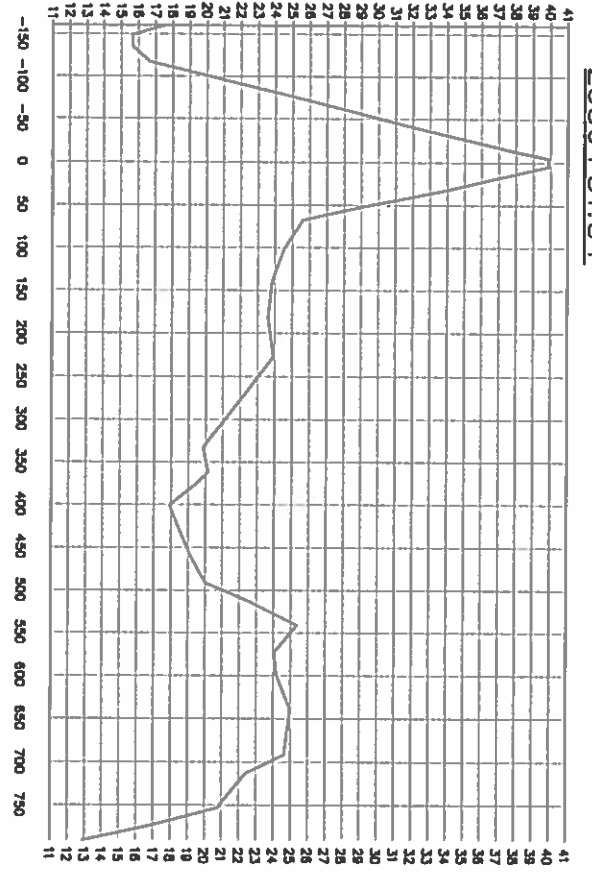
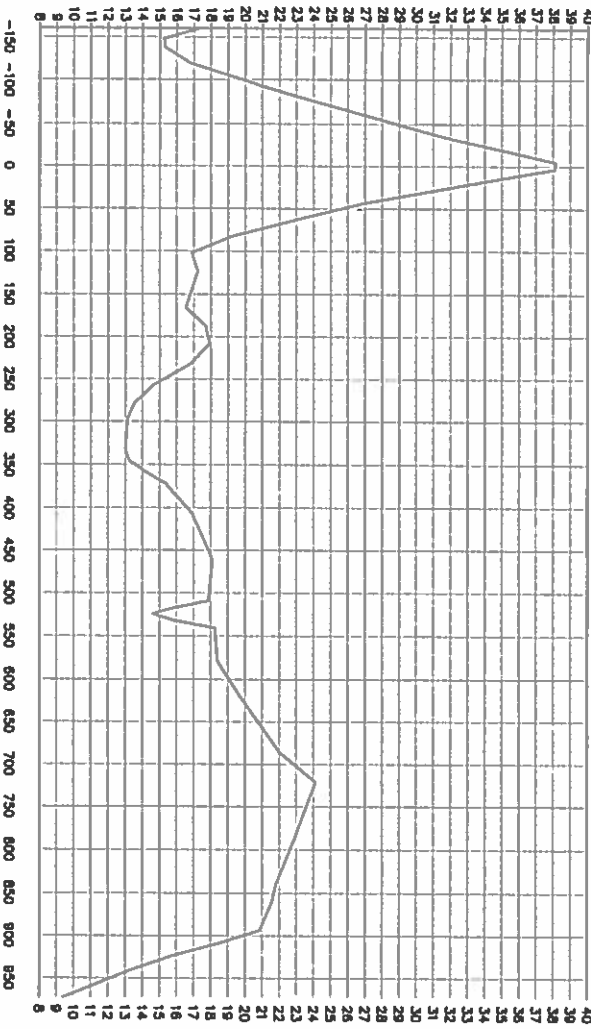
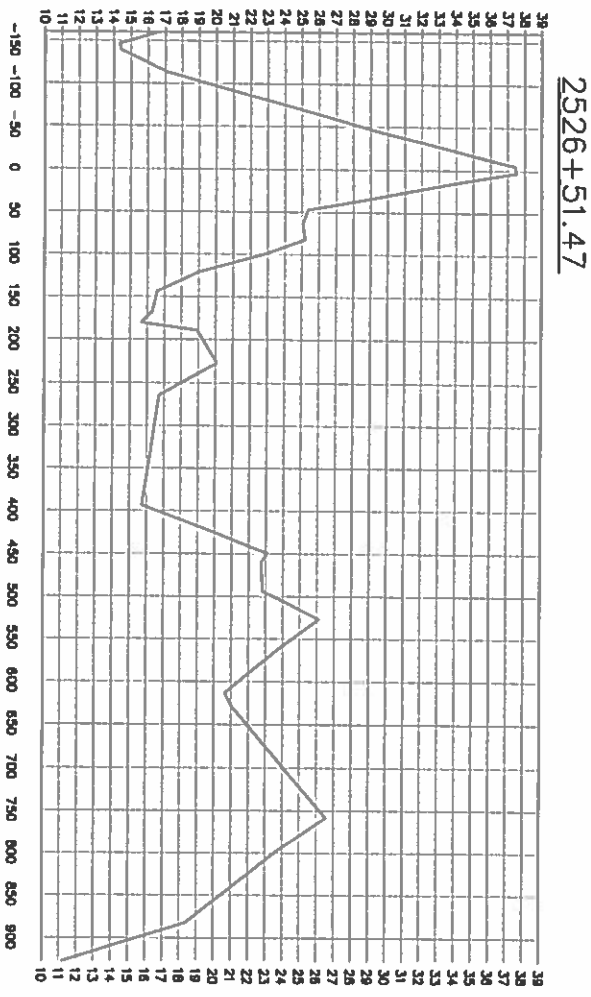
BURK-KLEINPETER, INC.



654 WILLIAM BUCKWOLD  
JEFFERSON PARISH, LOUISIANA 70001  
Tel: (504) 487-2000  
Fax: (504) 487-2000  
City of Metairie

REGISTERED PROFESSIONAL LAND SURVEYOR  
RALPH P. FONTOLBERTA, JR.  
REGISTRATION NO. 4329





7 of 7

DATE	NOVEMBER 21, 2015
PROJECT NO.	0152
SHEET	1 of 2

**TOPOGRAPHIC SURVEY OF  
HARDTIMES PLANTATION,  
HIGHWAY 75, DARROW,  
ASSUMPTION PARISH, LOUISIANA**

I certify that this plan represents an actual ground survey made by me or under my direction, and it does not conform to the requirements for the Minimum Standards for Property Boundary Surveys as found in Louisiana Administrative Code TITLE 46, LAC, Chapter 29 for a Class "C" survey.

**BURK-KLEINPETER, INC.**

544 WILLIAM BOULEVARD  
CITY OF MONROE, LOUISIANA 70133  
(504) 488-8800  
FAX (504) 487-0093  
CITY OF MONROE  
JEFFERSON PARISH, LOUISIANA 70003